

ThetaVAC-2 Vacuum Cold Mounting Machine

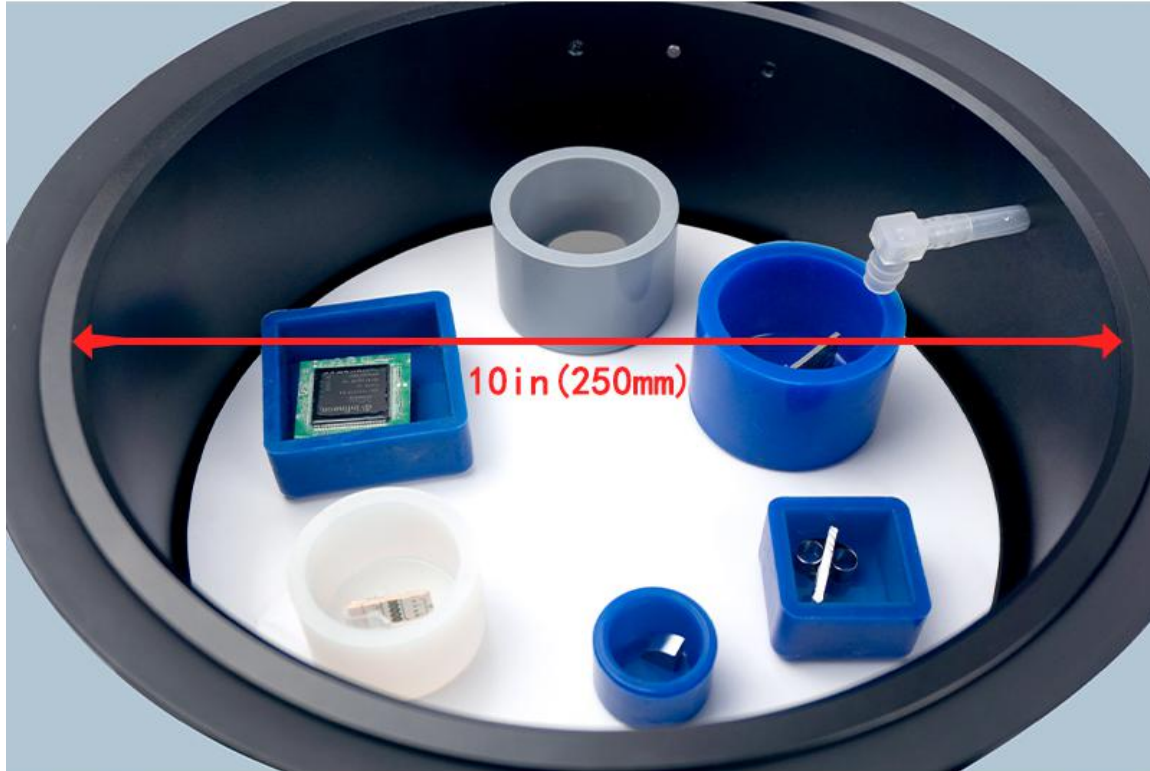


Product Introduction:

Trojan's new LCD touch screen programmable vacuum system for cold mounting in epoxy offers excellent pore impregnation in a compact format. This equipment can make epoxy resin penetrate into any porous samples quickly and effectively, resulting in ensured the edge protection of the sample. This equipment is light and compact, external connecting the compressed air source can quickly and effectively pulls a vacuum, and can also be connected to vacuum air pump.

Product Features

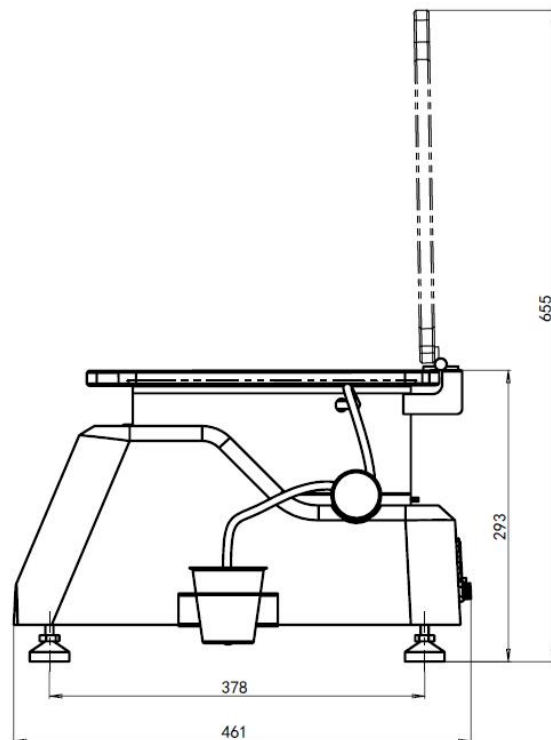
- Ability to set the vacuum level, time under vacuum and the number of cycles under vacuum.
- Large Sample Chamber, 10inch (250mm) diameter vacuum chamber
- Easily position samples when pouring under vacuum with electric direction turn table.
- External connecting the compressed air source, easy to operate, safe and reliable (can also be connected to vacuum air pump).
- The inner wall is Teflon coated. Even if the epoxy resin sticks to the inner wall, it is very easy to clean.

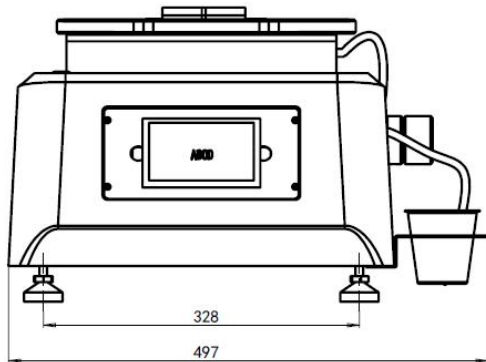


Technical parameter

Electrical	Power Supply	220V, 50Hz, 35W (excluding vacuum pump)
	Control	5-inch touch screen
	Timing cycle	Timing range: 0-10min, automatic air extraction / deflation, automatic circulation
	Program	20 sets
Vacuum	Vacuum Level	0 ~ - 80kPa, vacuum pump 0 ~ - 90kpa
	Maximum vacuum flow	75 L/min
	Air consumption	28-42 L/min
	Noise	55-60dBA
Table	Size	The inner diameter is ϕ 252, and 12 ϕ 40 samples can be placed at the same time
	Control	Button inching, direction: clockwise / counterclockwise
Use environment	Temperature	0-60°C
	Humidity	0-95%RH
Supply air	Pressure	ϕ 6 gas pipe, the recommended pressure is 0.6 ~ 0.7MPa
External vacuum pump (optional)	Voltage	220V~/50Hz
	Pumping rate	5.4m ³ /h
	Extreme pressure	2pa
Weight		18.5KG

Overall dimension





Accessories list

Order No	Name	Specifications	Qty
80.90.100	ThetaVAC-2 Vacuum Cold Mounting Machine	86-230V, 50-60Hz	1
	Enlarged base plate		1
	Seal ring		1
	Disposable paper cup		10 PCS/Pkg
	The stirring rod		10 PCS/Pkg
	Disposable pouring pipe		10 PCS/Pkg
	Epoxy Resin		
	Anti sticking paper		10 PCS/Pkg
	Vacuum pump		1
	Power cord		1
	Instruction manual		1