

ThetaVAC-2

Vacuum Cold Mounting Machine

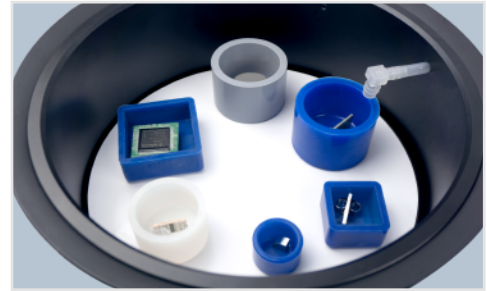
MOUNTING



2026
01 / 01

ThetaVAC-2 Vacuum Cold Mounting Machine

ThetaVAC-2 is a program-controlled vacuum mounting machine. This system is ideal for vacuum embedding with epoxy resin, offering excellent porosity impregnation capabilities. It allows the epoxy resin to penetrate small pores and cracks quickly and effectively, ensuring edge protection and thorough filling of the sample. The ThetaVAC-2 is particularly well-suited for preparing porous materials and is widely used in the preparation of failure analysis samples for cracked components, porous castings, composite materials, as well as electronic components, rocks, minerals, and ceramics.



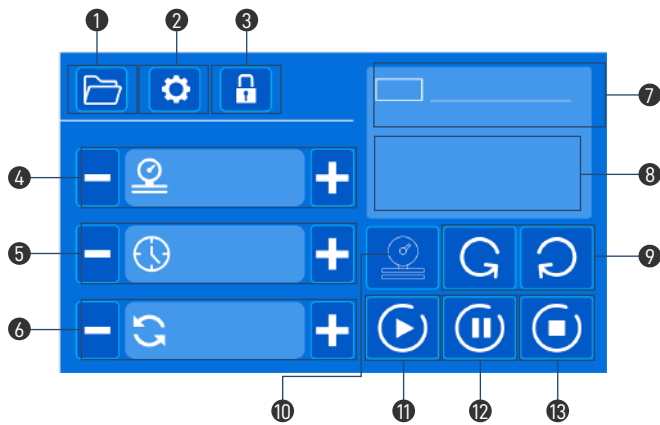
Features:

- ◆ Program-controlled with adjustable vacuum level, cycle count, and corresponding time settings.
- ◆ Extra-large vacuum chamber, capable of holding up to 12 samples with a diameter of 40mm;
- ◆ Electric rotating table for convenient and efficient mounting;
- ◆ Simple to operate, safe and reliable;
- ◆ The interior is coated with Teflon, making it easy to clean.

Technical Data:

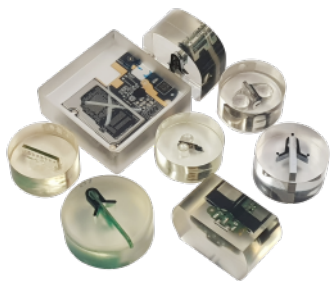
Model	ThetaVAC-2	
Electrical	Power Supply	100-240V, 50Hz, 35W(excluding vacuum pump)
	Control	7-inch touch screen
	Timing Cycle	Timing range: 0-10min, automatic air extraction / deflation, automatic circulation
	Max. cycle times	100 times
	Program	20 sets
Vacuum	Vacuum Level	0 ~ - 90kpa
	Maximum Vacuum Flow	75L/min
	Air Consumption	28-42L/min
	Noise	55-60dB
Chamber	Size	The inner diameter is $\Phi 252$, and 12 $\Phi 40$ samples can be placed at the same time
	Height	For molds with diameter less than 100mm, the maximum height is 100mm; Molds with diameter greater than 100mm, the maximum height is 80mm.
	Control	Button inching, direction: clockwise / counterclockwise
Operating Environment	Temperature	0-60°C
	Humidity	0-95%RH
Oil-free vacuum pump	Voltage	Same as input voltage
	Power	350W
	Cable Connector	Chinese standard plug
Dimension	W×D×H	507×464×267mm; 507×464×644mm(open)
Weight		18kg

Control Panel Introduction:



- ① Program Group
- ② Settings
- ③ Screen Lock
- ④ Pressure adjustment bar
- ⑤ Timing adjustment bar
- ⑥ Setting of cycle times
- ⑦ Program name
- ⑧ Real time value
- ⑨ Forward and reverse rotation
- ⑩ Vacuum start button
- ⑪ Run button
- ⑫ Pouring button
- ⑬ Stop button

Related Consumables & Accessories:



Cold Mounting System



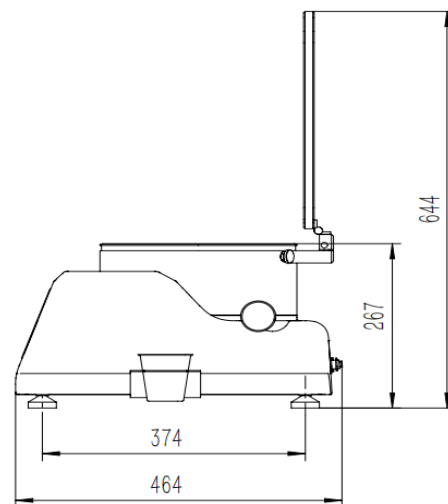
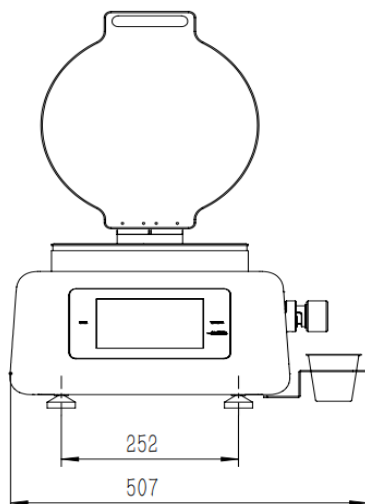
Silicone Mold Cups








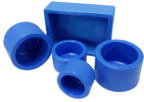


Sample Support Clip

Dimension Figure

Unit: mm



Standard Accessories:

1	Enlarged base plate			1pc
2	Disposable paper cup			5pcs
3	The stirring rod			5pcs
4	Disposable pouring pipe			5pcs
5	Air inlet pipe		Φ6mm PU pipe (With quick connector)	1pc
6	Silicone Mold Cups		Φ30*18mm(depth)	2pc
7	Oil-free vacuum pump		Flow rate: 110L/Min, Power: 350W	1pc
8	Power cable		220V, 10A, 1.5M	1pc

Purchase list:

Cold Mounting System:

02.04.721	TJ 2221A Epoxy King	2kg
02.04.722	TJ 2221B Curing agent	1kg
02.04.871	TJ 2228A Epoxy Slow	2kg
02.04.872	TJ 2228B Curing agent	1kg
02.04.773	TJ 2226A Epoxy Resin	1kg
02.04.774	TJ 2226B Curing agent	230g
02.04.853	TJ 2562A Epoxy Thin	1.5kg
02.04.854	TJ 2562B Curing agent	0.5kg

Sample Support Clip:

07.01.010/012	Plastic Coil Clip,6*100mm	100pcs/1000pcs
07.01.016/017	Stainless Steel Clip,7*120mm	100pcs/1000pcs
07.04.010/012	T Black Plastic Clip,10*9*13mm	100pcs/500pcs
07.03.010	T White Plastic Clip,10*9*13mm	100pcs
07.05.001	S Black Plastic Clip,20*10*8mm	100pcs

Mounting Cups:

2-part Mounting Cups (Separate Firm Molds)	08.02.002	Φ25*20mm	10pcs
	08.02.004	Φ30*23mm	
	08.02.006	Φ32*25mm	
	08.02.008	Φ40*27mm	
Transparent Silicone Molds	08.02.022-3	Φ30*18mm(depth)	10pcs
	08.02.030-3	Φ40*27mm(depth)	
	08.02.055-1	50*50*20mm(rectangle)	
Teflon Mounting Cups (Teflon,easy release)	08.02.110	Φ25	1pc
	08.02.120	Φ30	
	08.02.132	Φ40	



TROJAN (SUZHOU) MATERIAL TECHNOLOGY CO.,LTD

Tel: +86-512-65283666

Email: sales@trojanchina.com

Web: www.trojanworld.com

Add: Building 26, No.228 Gongtang Road, Luzhi Town, Wuzhong Suzhou, China

